

ROAD NO.	JOB NO.	SHEET NO.	TOTAL SHEETS
3102	P12A320	A-1	6

INDEX OF SHEETS

SHEET NO. A-1	TITLE SHEET, CONSTRUCTION SIGN PLAN
SHEET NO. A-2	EXISTING GROUND CONTOURS & UTILITIES MAP
SHEET NO. 1-4	BRIDGE RETROFIT PLANS

**COUNTY OF SAN LUIS OBISPO, CALIFORNIA
ENGINEERING DEPARTMENT
DESIGN DIVISION**

APPROVED: SEPTEMBER 8, 19 98
Matthew J. Dominice
COUNTY ENGINEER R.C.E. 26598 (Exp. 3-31-2000)

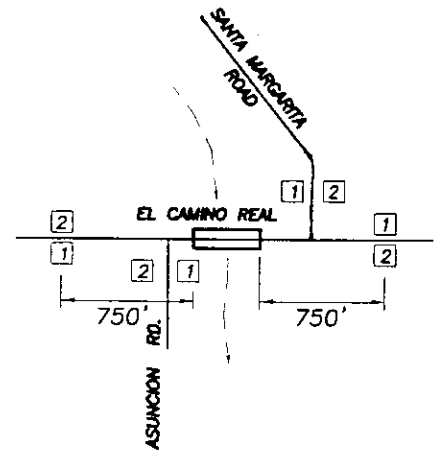
RECOMMENDED FOR APPROVAL: SEPTEMBER 1, 19 98
Alan J. Pichler
DEPUTY COUNTY ENGINEER R.C.E. 30789 (Exp. 3-31-2000)

COUNTY SURVEYOR'S STATEMENT
This map has been examined in accordance with Section 8766 of the Land Surveyor's Act this 8 day of SEPT., 19 98.
Matthew J. Dominice
R.C.E. 26598 (Exp. 3-31-2000)

SURVEYOR'S STATEMENT
This map correctly represents a survey made by me or under my direction in conformance with the requirements of the Land Surveyor's Act at the request of COUNTY OF SAN LUIS OBISPO, in NOVEMBER, 19 97.
Matthew J. Dominice
R.C.E. 26598 (Exp. 3-31-2000)

LICENSE REQUIREMENTS
The successful bidder shall possess a Class A general engineering contractor's license at the time this contract is awarded. In the alternative, the successful bidder shall possess a specialty contractor's license at the time this contract is awarded that permits the successful bidder to perform with his or her own organization contract work amounting to not less than 50% of the original total contract price and to subcontract the remaining work in accordance with Section 8-1.01, "Subcontracting," of the Standard Specifications.

**PLANS FOR THE EL CAMINO REAL BRIDGE
OVER SANTA MARGARITA CREEK SEISMIC RETROFIT
NEAR SANTA MARGARITA, CA.**
To Be Supplemented By State Standard Plans Dated July, 1992.
**STPLZ-5949(035), Bridge No. 49C-310
EA No. 05-L0265**

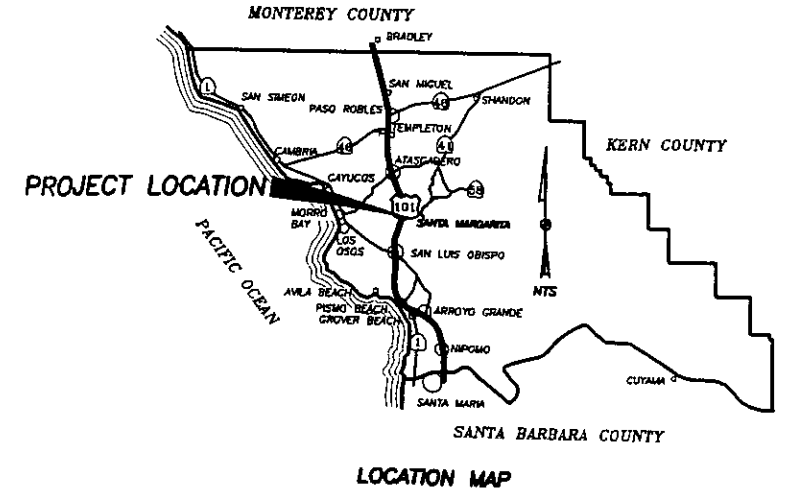
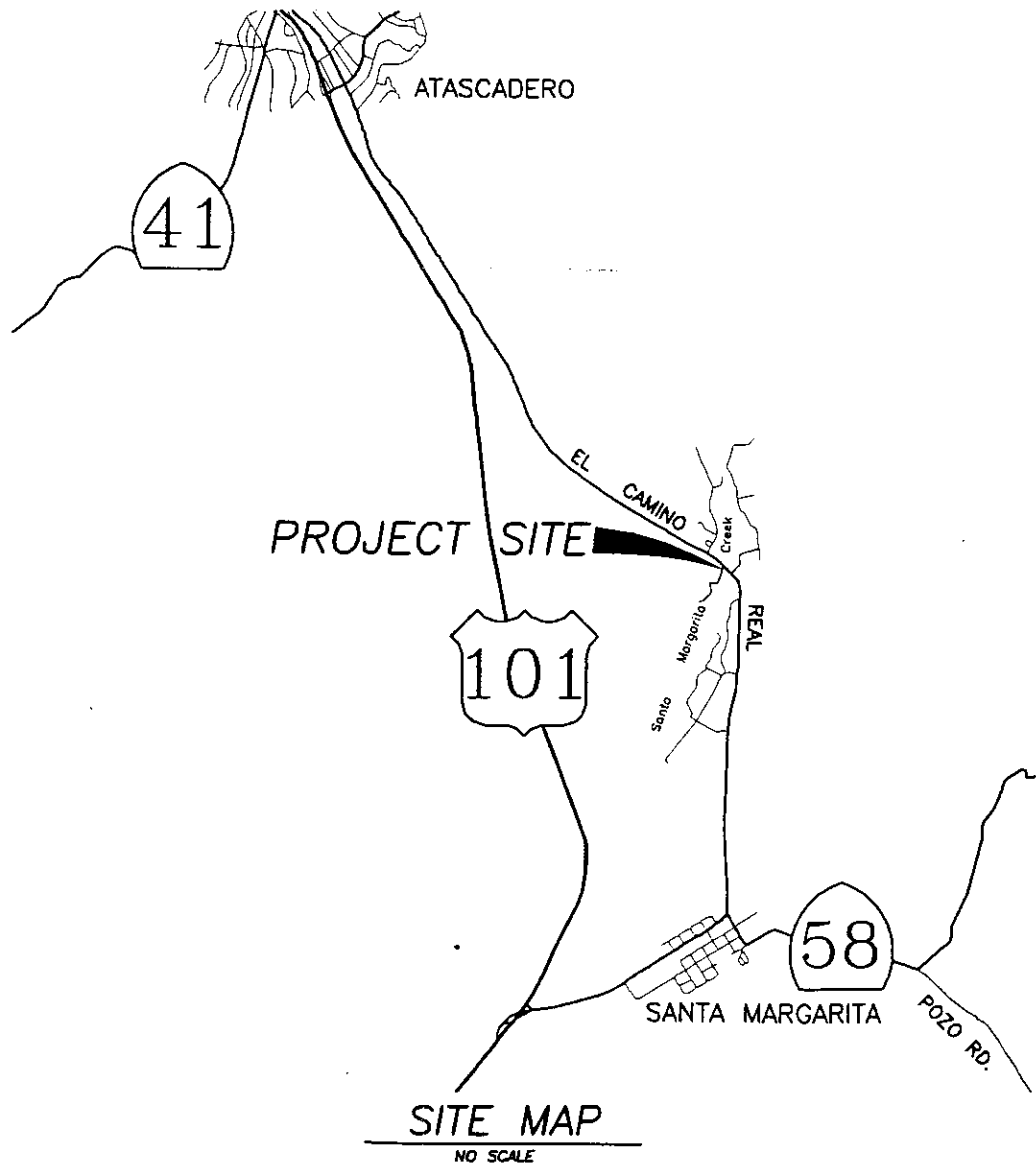


LEGEND

No.	Type	Size	Message	Quantity
1	C18	36x36	"ROAD CONSTRUCTION AHEAD"	4
2	C13	48x18	"END CONSTRUCTION"	4

NOTES:
All Signs Shall Be Stationary Mounted on 4x4 Wood Posts.
All Construction Signs Shall be Placed Approximately 4' off the Edge of Roadway, the Exact Location and Position of Signs Shall be Determined by the Engineer.

CONSTRUCTION SIGN PLAN
NO SCALE



EL CAMINO REAL BRIDGE AT SANTA MARGARITA CREEK					
TITLE SHEET					
SANTA MARGARITA, CA.					
Designer	Date	Drawn By	Date	Design Engineer	Date
BUCKLAND & TAYLOR	8/98	D RIGN	8/98	<i>Alan Pichler</i>	9/1/98

PLOT DATE: 8/31/98
DRAWING NAME: RETROFIT/EL_CAMINO_REAL/TITLE_SHT



DIST	COUNTY	ROUTE	POST MILES TOTAL PROJECT	SHEET NO.	TOTAL SHEETS
5	SLO				

REGISTERED ENGINEER - CIVIL

PLANS APPROVAL DATE

BUCKLAND & TAYLOR LTD. BRIDGE ENGINEERING
101 YEMASO VALLEY RD. SUITE 105
WALNUT CREEK, CA 94598

RECEIVED

AUG 13 1998

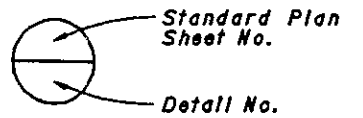
CITY OF SAN LUIS OBISPO
ENGINEERING DEPARTMENT

INDEX TO PLANS

SHEET NO.	TITLE
1.	GENERAL PLAN
2.	ABUTMENT 1 RETROFIT DETAILS
3.	ABUTMENT 6 RETROFIT DETAILS
4.	PIER RESTRAINER DETAILS

STANDARD PLANS DATED JULY 1992

A - 10A	Abbreviations
A - 10B	Symbols
B0 - 1	Abbreviations
B0 - 13	Bridge Details



GENERAL NOTES

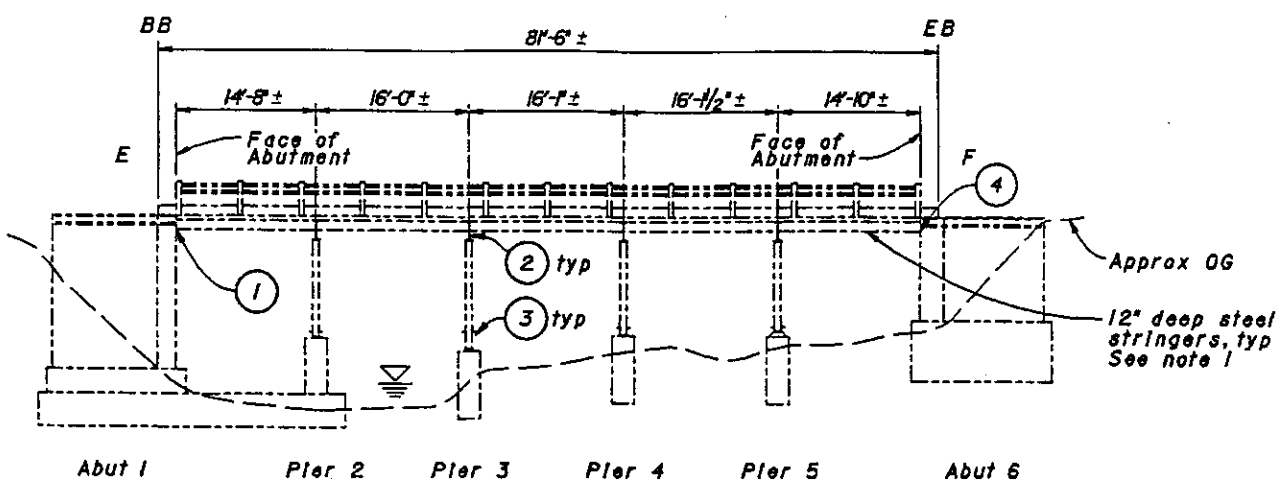
- Load Factor Design**
Bridge Design Specifications 1983 AASHTO with Interims and revisions by CALTRANS.
- Design Seismic Load**
ATC-32 ARS Curve R3-8
Peak Bedrock Acceleration = 0.7g
Soil Profile - Type D
Fault Moment Magnitude = 7.25 ± .25
Spectral acceleration increased by 20%
- Reinforced Concrete (Existing)**
Assumed for retrofit evaluation:
f'c = 4000 psi
fy = 40 ksi
- Reinforced Concrete (New)**
f'c = 3,250 psi
fy = 60 ksi
- Structural Steel (Existing)**
Assumed for retrofit evaluation:
fy = 33 ksi
- Structural Steel (New)**
fy = 36 ksi

SYMBOLS

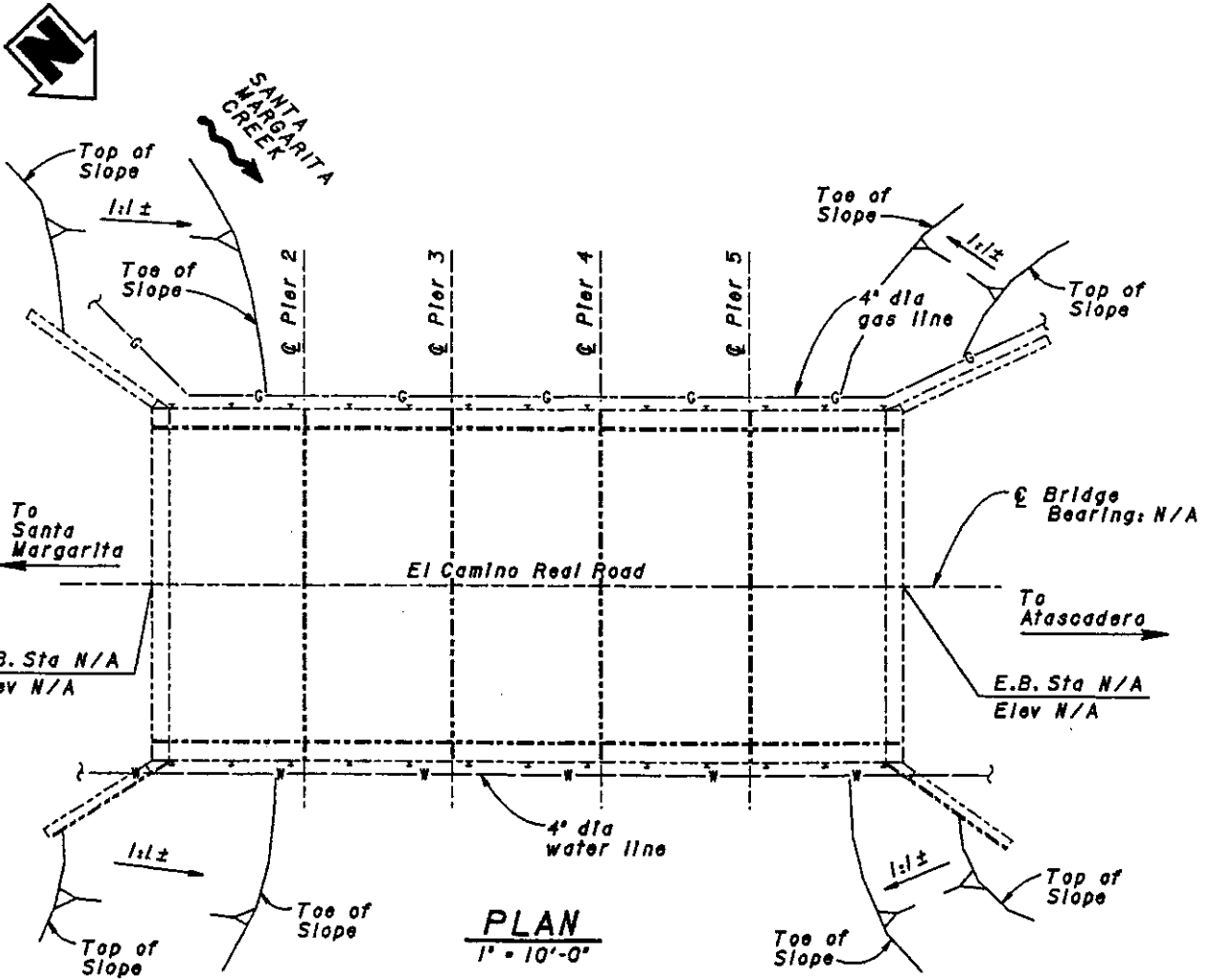
- Indicates Existing Structure
- Indicates New Construction
- ← Indicates Direction of Traffic
- F Fixed Joint
- E Expansion Joint
- N/A Not applicable

NOTE:

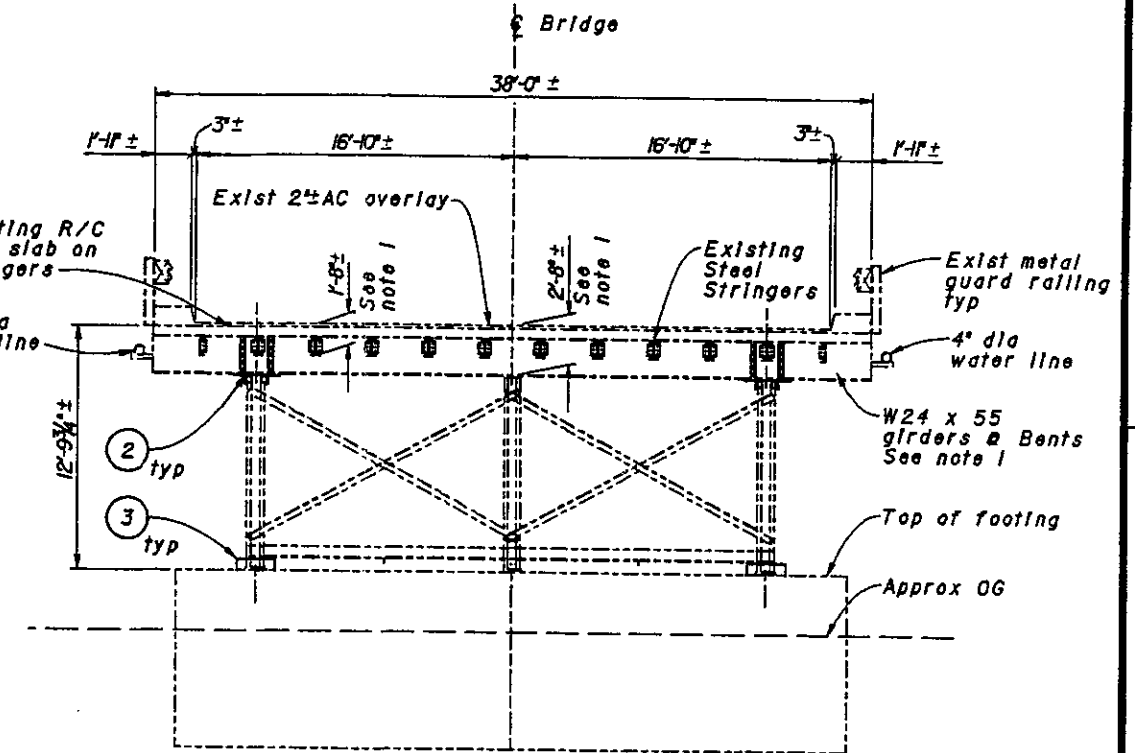
1. No "As-Built" drawings are available for this bridge. All dimensions are from field measurements.



ELEVATION
1" = 10'-0"



PLAN
1" = 10'-0"



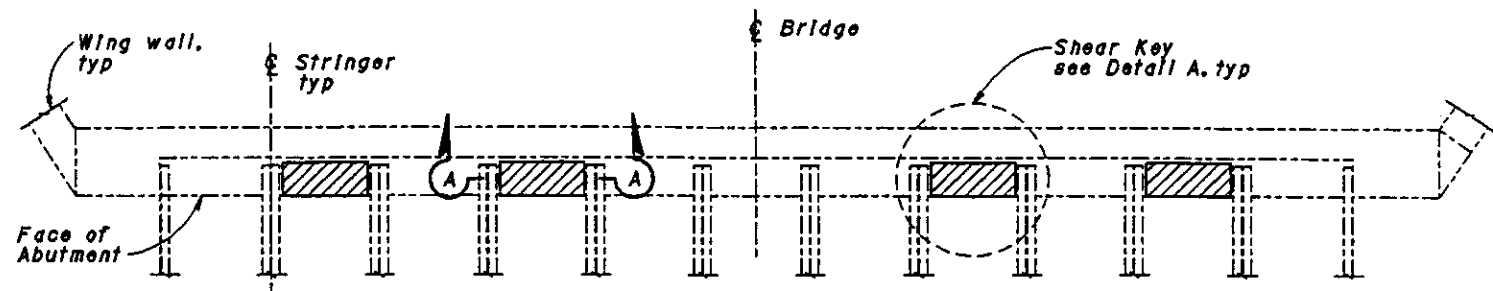
TYPICAL SECTION
1" = 5'-0"

RETROFIT LEGEND

- Place transverse Shear Keys @ Abutment 1.
- Provide restrainer brackets for column/floorbeam connection @ exterior columns in each Bent
- Provide restrainer pedestals for column base pedestals @ exterior columns in each Bent
- Provide positive shear connections and concrete shear key @ Abutment 6

NOTE: THE CONTRACTOR SHALL VERIFY ALL CONTROLLING FIELD DIMENSIONS BEFORE ORDERING OR FABRICATING ANY MATERIAL.

WILLIAM W. ADDLESPURGER/ DESIGN SUPERVISOR <i>Will W. Addlespurger</i> 8-5-98 SIGN OFF DATE		DESIGN BY J. DeSILVA CHECKED J.M. BENOT DETAILS BY E. PLESHCHUK CHECKED J.M. BENOT QUANTITIES BY B. POLLOCK CHECKED J. RATHLE	LAYOUT BY E. PLESHCHUK CHECKED A. OZSELCIK SPECIFICATIONS BY P. GORYL CHECKED P. GORYL	PREPARED FOR THE COUNTY OF SAN LUIS OBISPO	PROJECT ENGINEER PAUL GORYL	BRIDGE NO. 49C-510 POST MILE CR	EARTHQUAKE RETROFIT SANTA MARGARITA CREEK BRIDGE GENERAL PLAN
ORIGINAL SCALE IN INCHES FOR REDUCED PLANS		CONTRACT NO. 88T028		DISREGARD PRINTS BEARING EARLIER REVISION DATES		REVISION DATES (PRELIMINARY STAGE ONLY)	
SHEET 1 OF 4		SHEET NO. 1 OF 4		SHEET NO. 1 OF 4		SHEET NO. 1 OF 4	

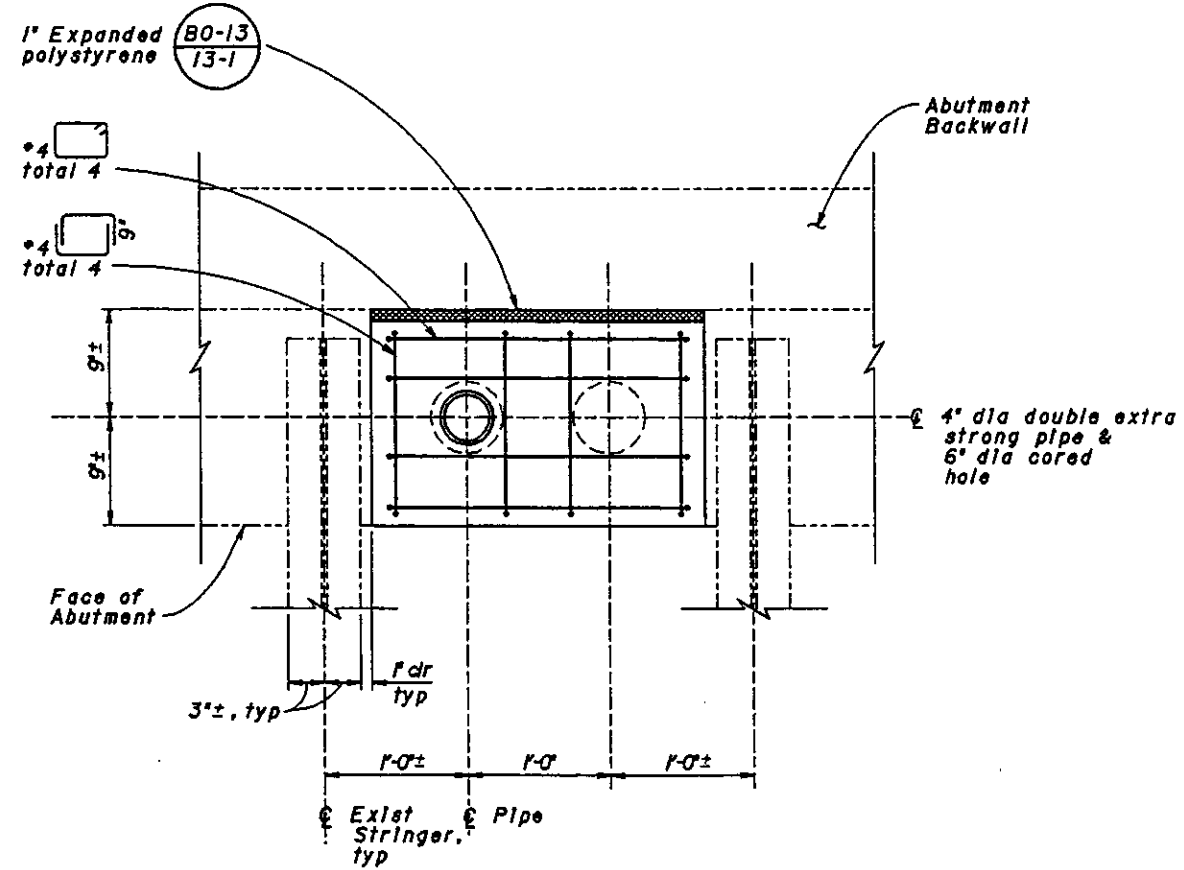


PLAN
3/8" = 1'-0"

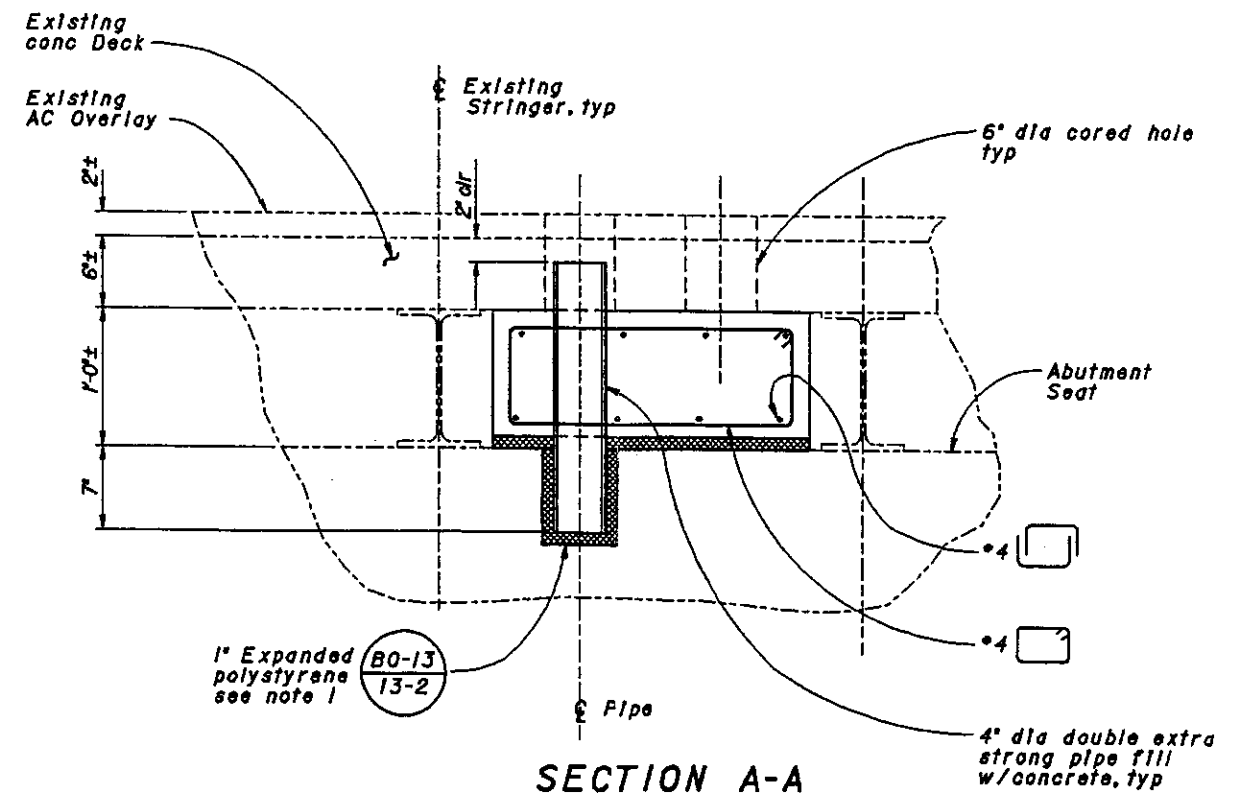
NOTES:

1. Concrete laitance shall be prevented from seeping into the cored holes below the Abutment seat.
2. Remove AC overlay for coring of holes. After placement of concrete restore AC overlay to existing conditions.

LEGEND:



DETAIL A
1/2" = 1'-0"



SECTION A-A
1/2" = 1'-0"

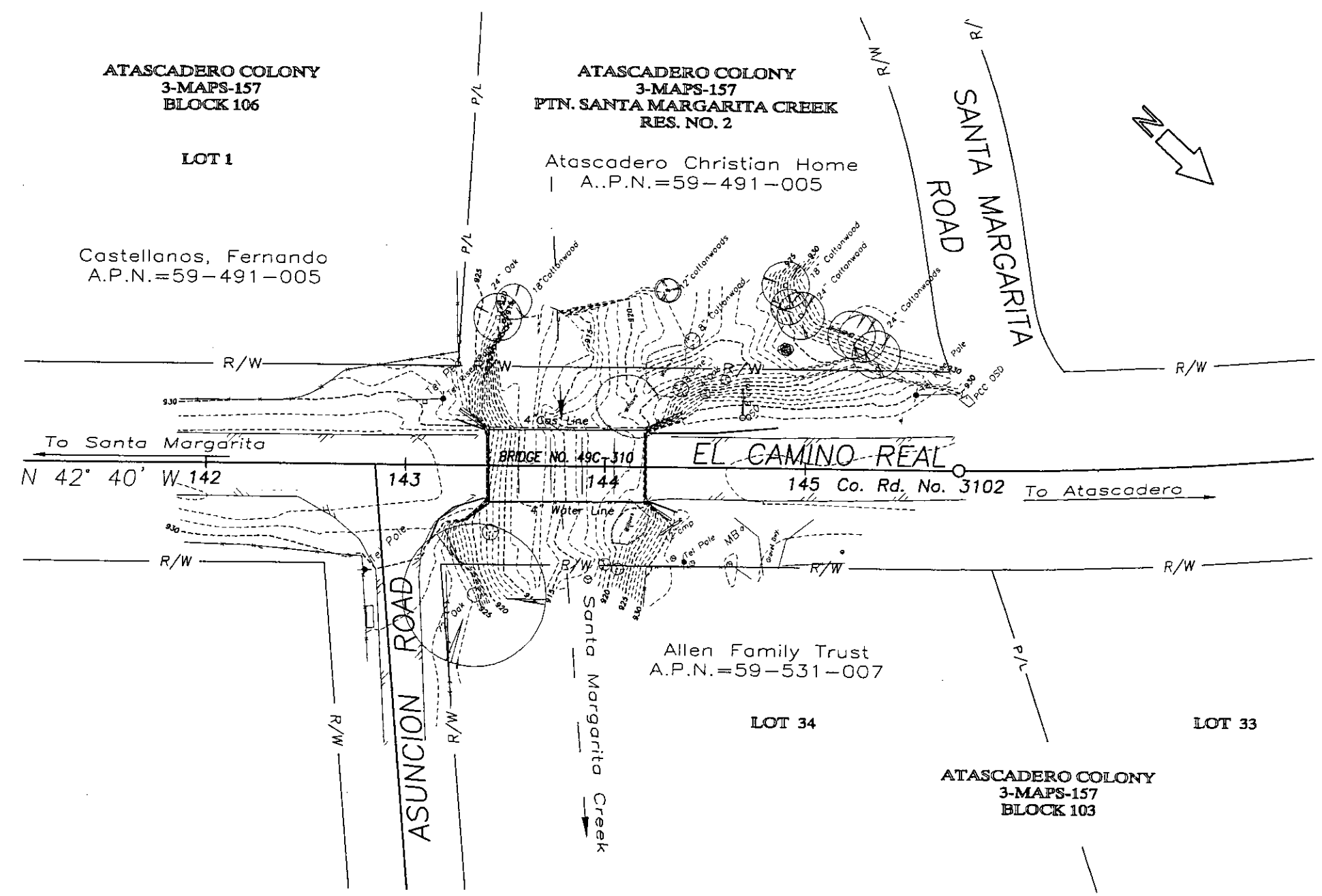
NOTE: THE CONTRACTOR SHALL VERIFY ALL CONTROLLING FIELD DIMENSIONS BEFORE ORDERING OR FABRICATING ANY MATERIAL.

WILLIAM W. ADDLESPURGER/ DESIGN SUPERVISOR 8-5-98	DESIGN	J. DaSILVA	CHECKED	J.M. BENOIT	PREPARED FOR THE COUNTY OF SAN LUIS OBISPO	PAUL GORYL PROJECT ENGINEER	BRIDGE NO.	49C-310	EARTHQUAKE RETROFIT SANTA MARGARITA CREEK BRIDGE ABUTMENT 1 RETROFIT DETAILS				
	DETAILS	R. deLEON	CHECKED	J.M. BENOIT			POST MILE	CR					
QUANTITIES	B. POLLOCK	CHECKED	J. RATHLE	CU 05-162	EA 05-L0265	DATE	1/27/97	1/27/97	1/27/97	SHEET	2	OF	4

ORIGINAL SCALE IN INCHES FOR REDUCED PLANS

REVISION DATES (PRELIMINARY STAGE ONLY)

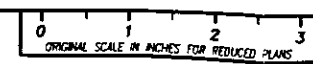
ROAD NO.	JOB NO.	SHEET NO.	TOTAL SHEETS
3102	P12A320	A-2	6

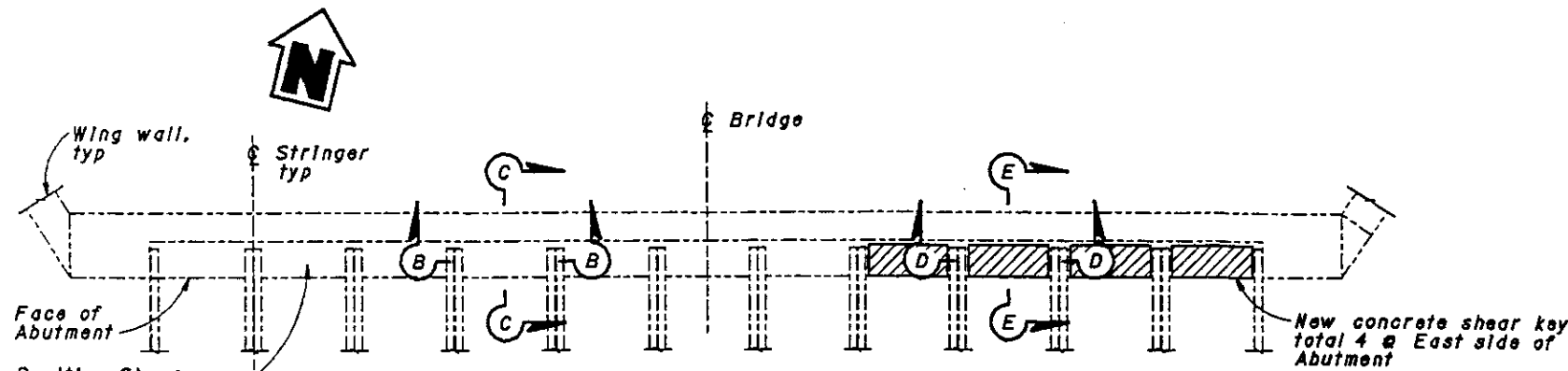


EXISTING GROUND CONTOURS & UTILITIES MAP
1"=30'

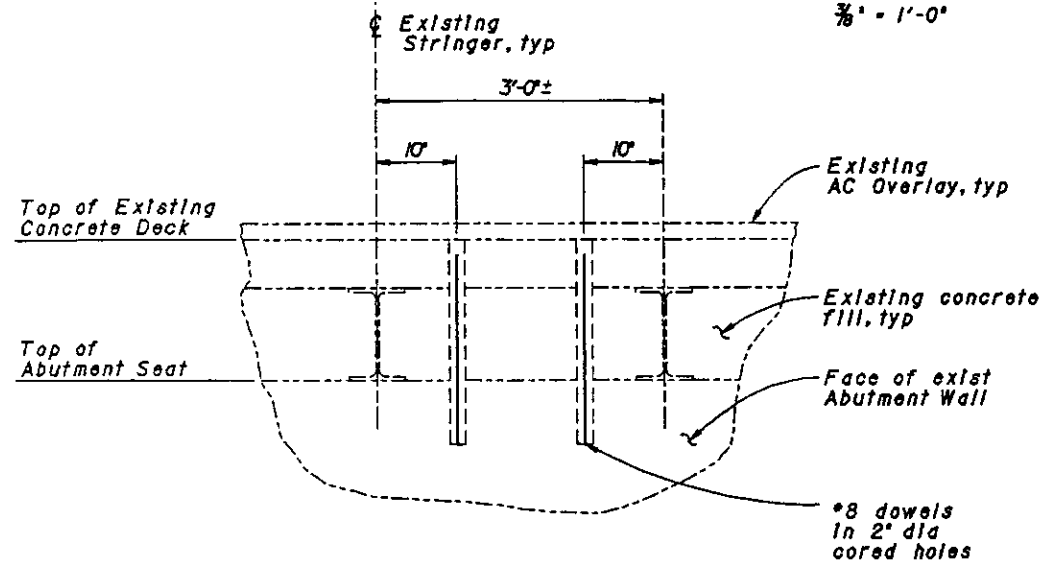
EL CAMINO REAL BRIDGE AT SANTA MARGARITA CREEK					
SITE PLAN					
SANTA MARGARITA, CA.					
Designer	Date	Drawn By	Date	Design Engineer	Date
BUCKLAND & TAYLOR	8/95	D RION	1/98	Allen Family Trust	9/1/98

PLOT DATE: 9/1/98
DRAWING NAME: RETROFIT/EL_CAMINO/EL_CAMINO_RW.dwg

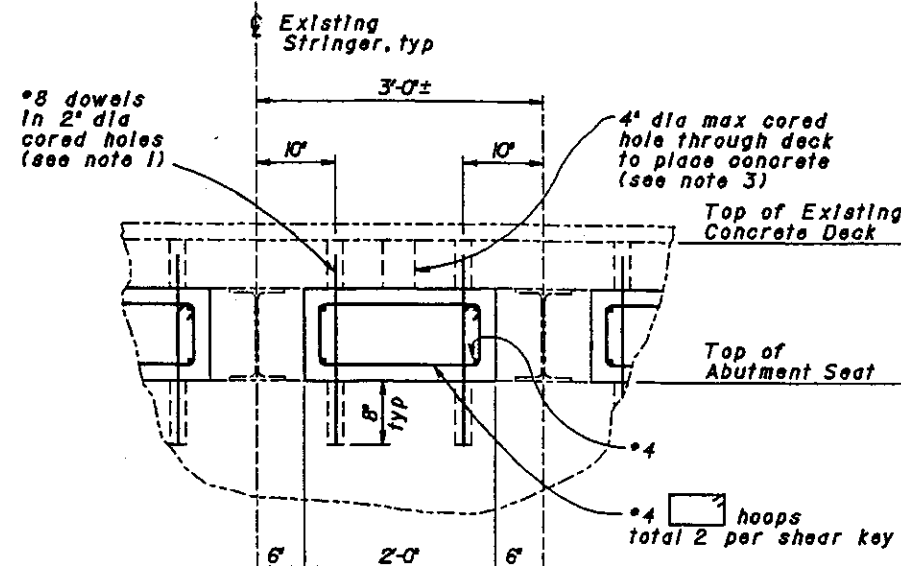




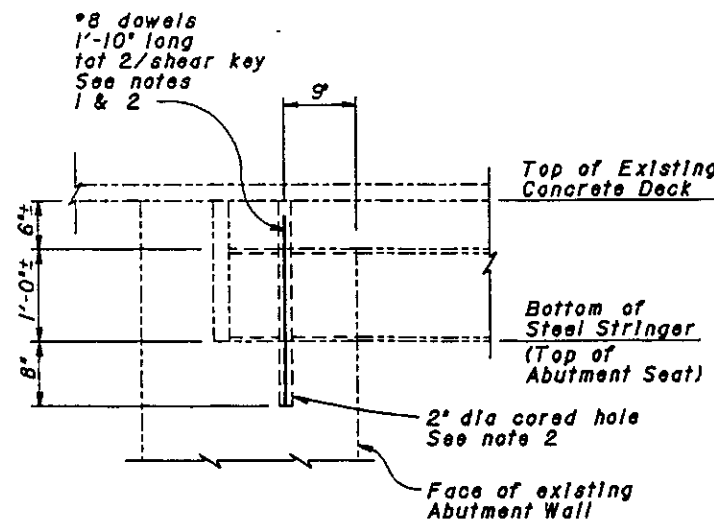
PLAN
3/8" = 1'-0"



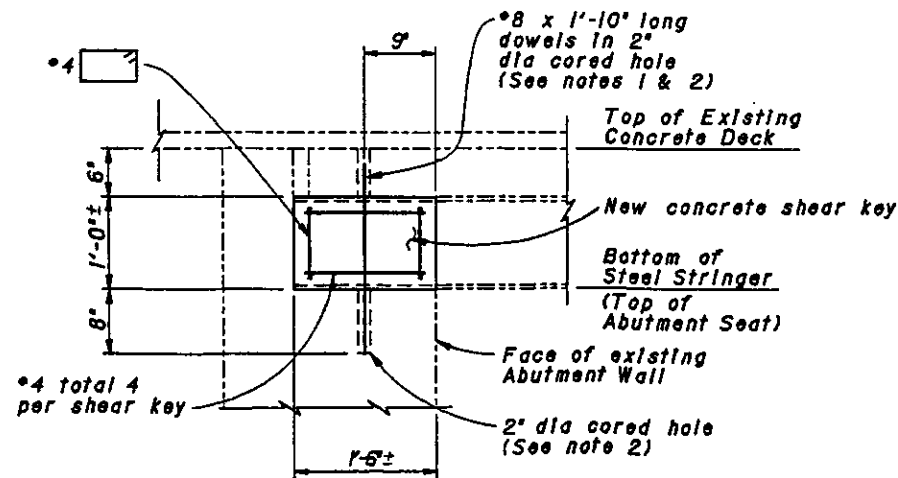
SECTION B-B
1" = 1'-0"



SECTION D-D
1" = 1'-0"



SECTION C-C
1" = 1'-0"



SECTION E-E
1" = 1'-0"

LEGEND:

New Concrete Shear Keys

NOTES:

1. Remove existing AC Overlay as required for coring of holes and placement of dowels. After grouting, restore A/C overlay to existing conditions.
2. Cored holes shall be pressure grouted.
3. Restore AC Overlay to existing conditions.

NOTE: THE CONTRACTOR SHALL VERIFY ALL CONTROLLING FIELD DIMENSIONS BEFORE ORDERING OR FABRICATING ANY MATERIAL

WILLIAM W. ADDLESPURGER/
DESIGN OVERSIGHT/ADABU MARKHIEH
W.W. Addlespurger 8-5-98
SIGN OFF DATE

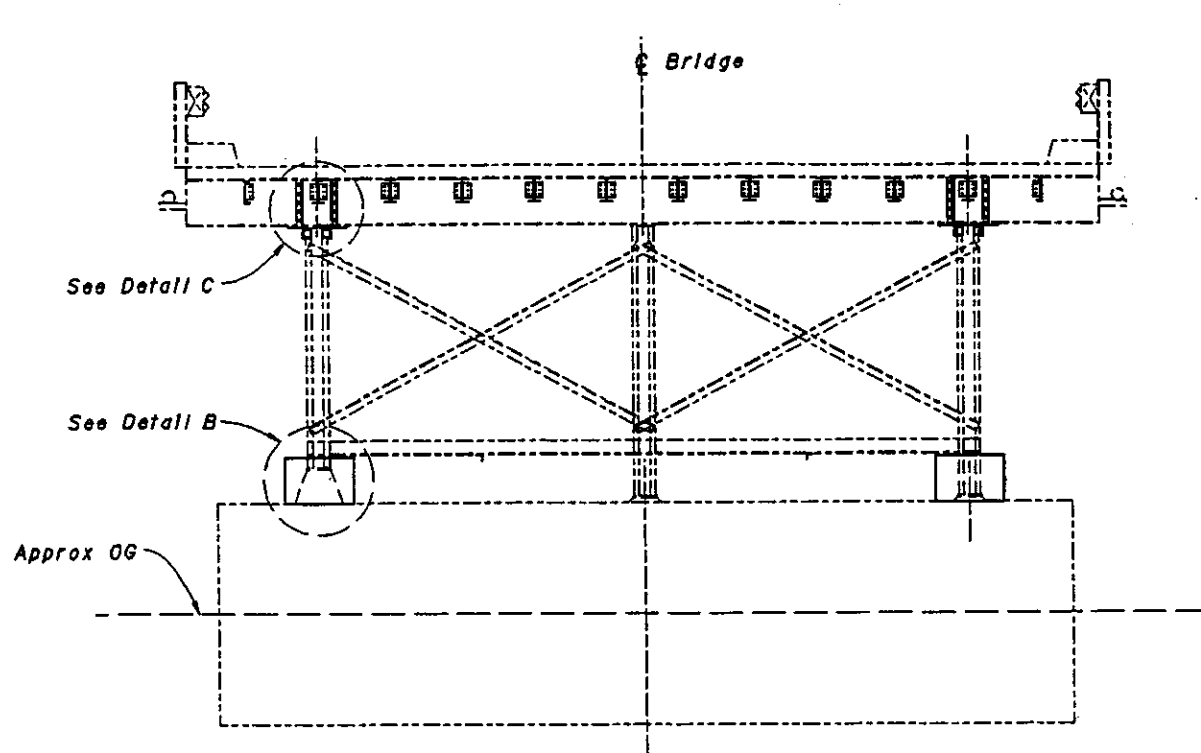
DESIGN	BY J. DeSILVA	CHECKED J.M. BENOT
DETAILS	BY M. MATSUMOTO	CHECKED J.M. BENOT
QUANTITIES	BY B. POLLOCK	CHECKED J. RATHLE

PREPARED FOR THE
COUNTY OF SAN LUIS OBISPO

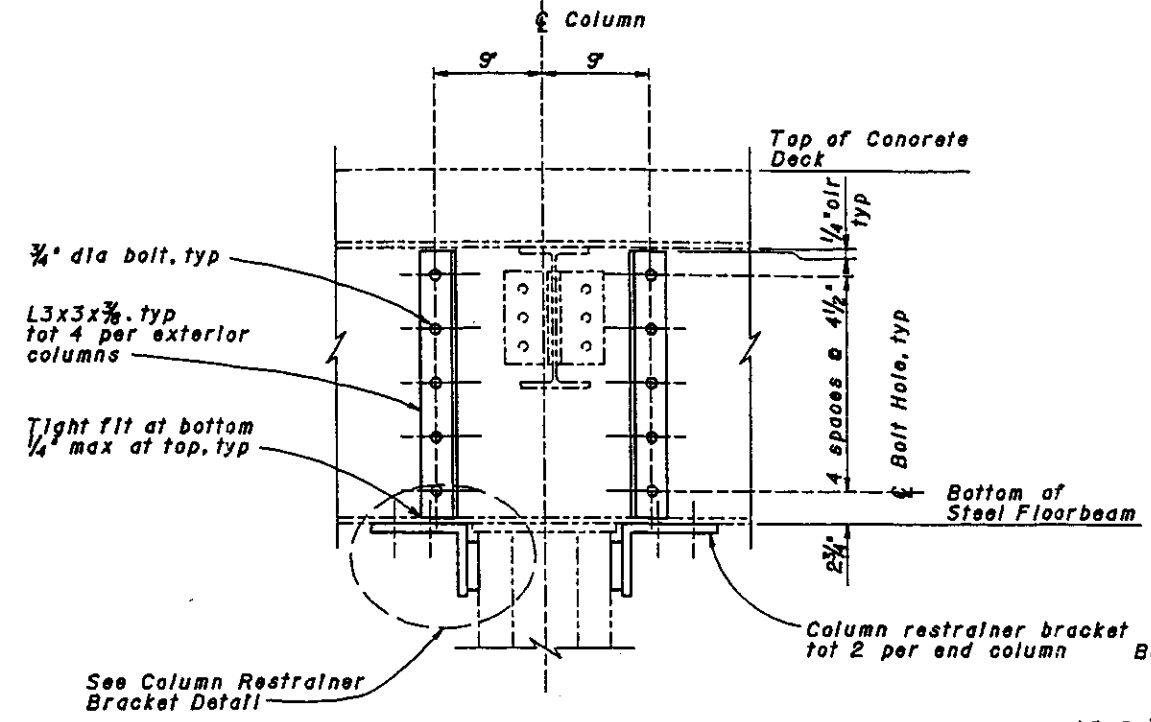
PAUL GORYL
PROJECT ENGINEER

BRIDGE NO.	49C-310
POST MILE	CR

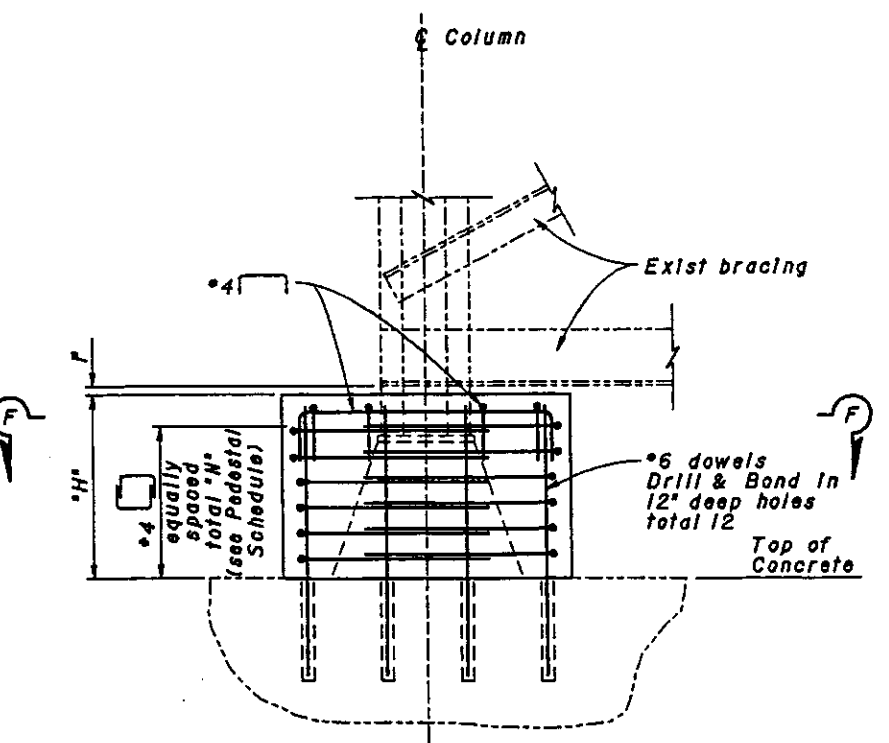
EARTHQUAKE RETROFIT
SANTA MARGARITA CREEK BRIDGE
ABUTMENT 6 RETROFIT DETAILS



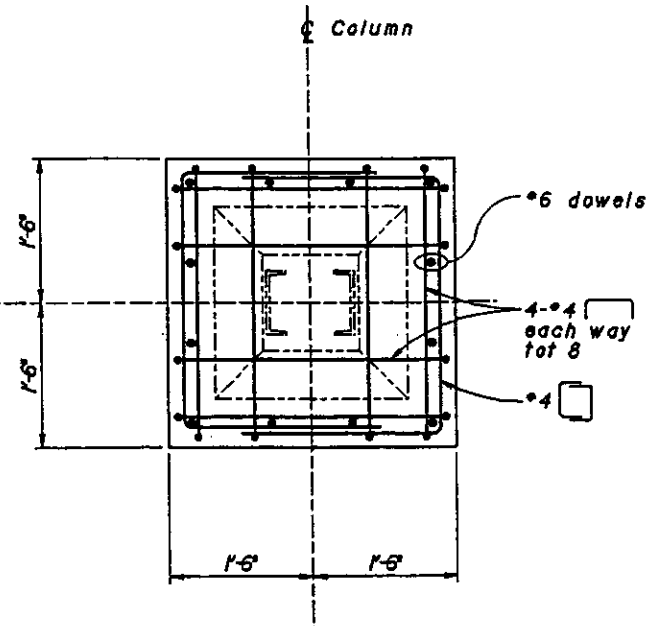
ELEVATION - PIER
 1/4" = 1'-0"
 Pier 3 shown, Piers 2, 4 & 5 similar



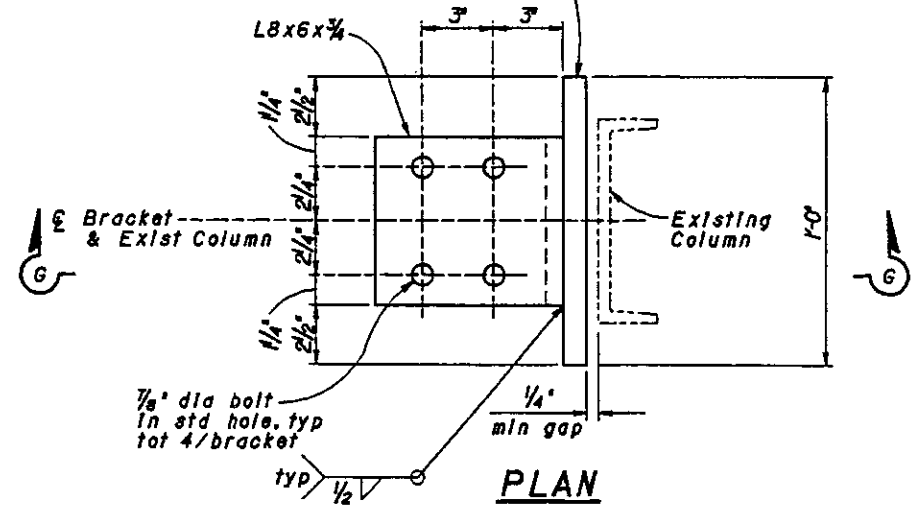
DETAIL C
 1 1/2" = 1'-0"



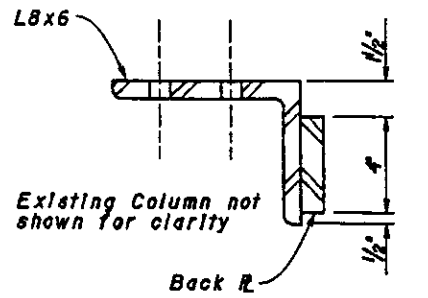
DETAIL B
 1" = 1'-0"



SECTION F-F
 1" = 1'-0"



PLAN



SECTION G-G

COLUMN RESTRAINER BRACKET DETAIL
 3" = 1'-0"

Pier	"H"	"N"
2	1'-0"±	4
3	9"±	3
4	1'-11"±	6
5	7"±	2

NOTE: THE CONTRACTOR SHALL VERIFY ALL CONTROLLING FIELD DIMENSIONS BEFORE ORDERING OR FABRICATING ANY MATERIAL.

WILLIAM W. ADDLESPURGER/ DESIGN OVERSIGHT/MAAD ABU MARKHIEH <i>Willw Addlep</i> 8-5-98 SIGN OFF DATE	DESIGN BY J. DeSLVA DETAILS BY M. MATSUMOTO QUANTITIES BY B. POLLOCK	CHECKED J.M. BENOIT CHECKED J.M. BENOIT CHECKED J. RATHLE	PREPARED FOR THE COUNTY OF SAN LUIS OBISPO	PAUL GORYL PROJECT ENGINEER	BRIDGE NO. 49C-810 POST MILE CR	EARTHQUAKE RETROFIT SANTA MARGARITA CREEK BRIDGE PIER RESTRAINER DETAILS
ORIGINAL SCALE IN INCHES FOR REDUCED PLANS			CU 06-152 EA 06-L0265	OVERLAND PRINTS BEARING EARLIER REVISION DATES	REVISION DATES (PRELIMINARY STAGE ONLY) 1/22/97 5/22/97 6/29/97 7/22/97	SHEET 4 OF 4